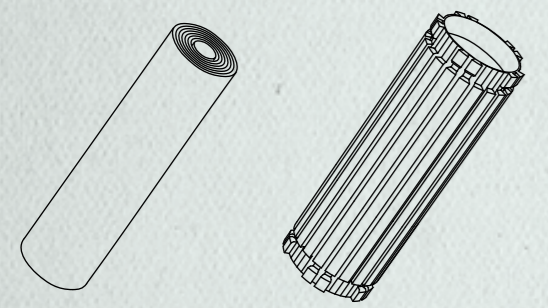
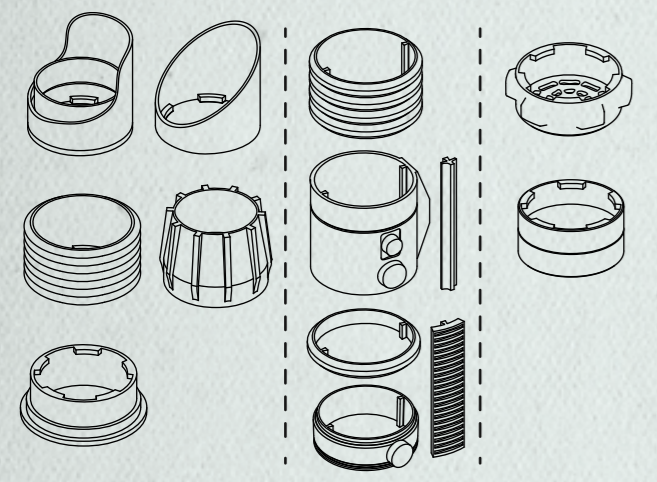


1

Download the base files (laser & handle)



Choose the accessories you want

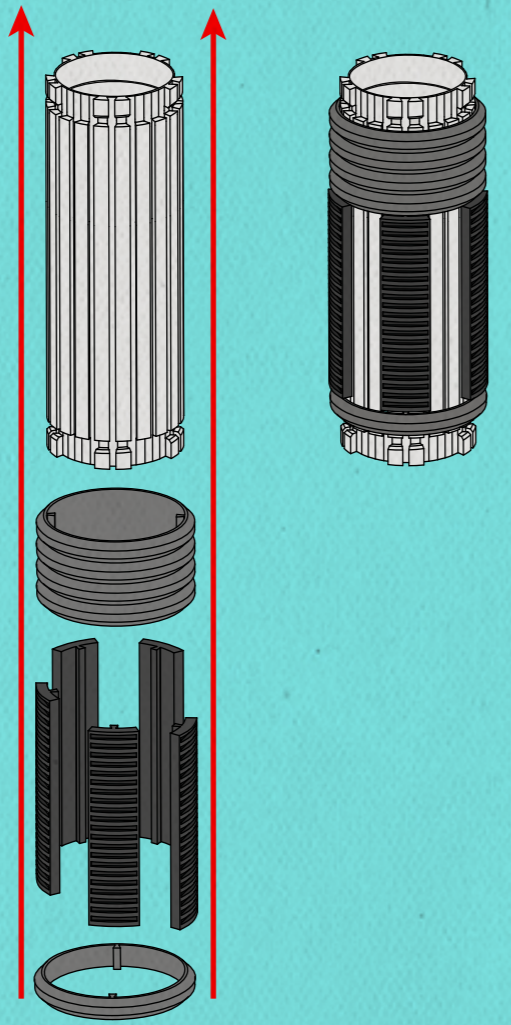


Use your favorite filament colors.



2

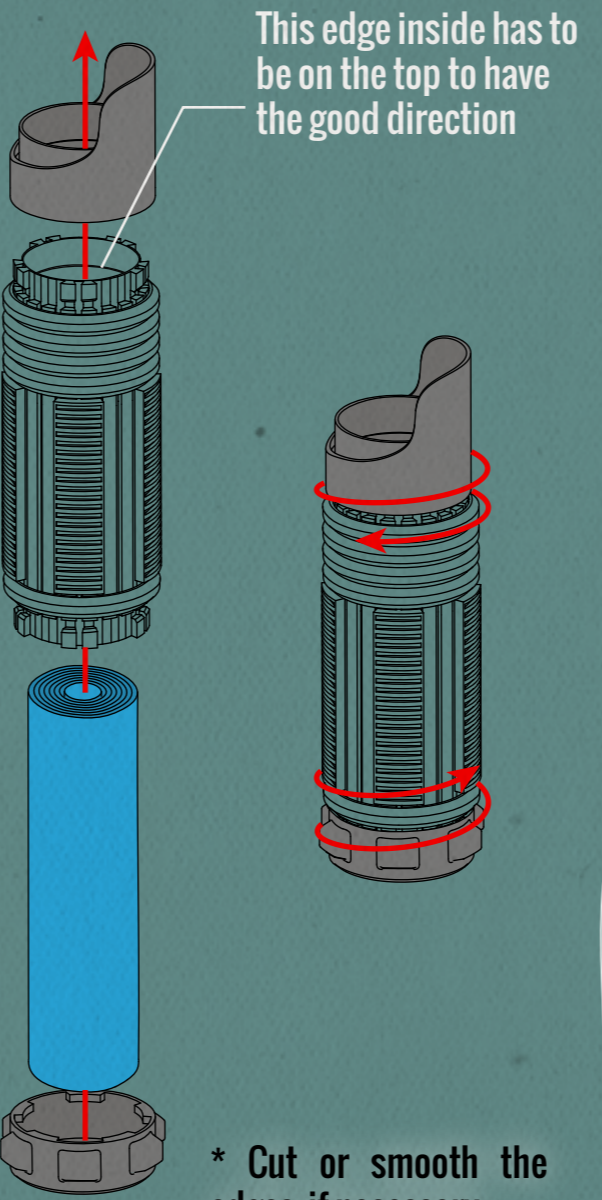
Customize you saber's handle by sliding the accessories into the slot *



* Cut or smooth the edges if necessary.

3

Insert the laser inside. Screw the top and the bottom of your saber *

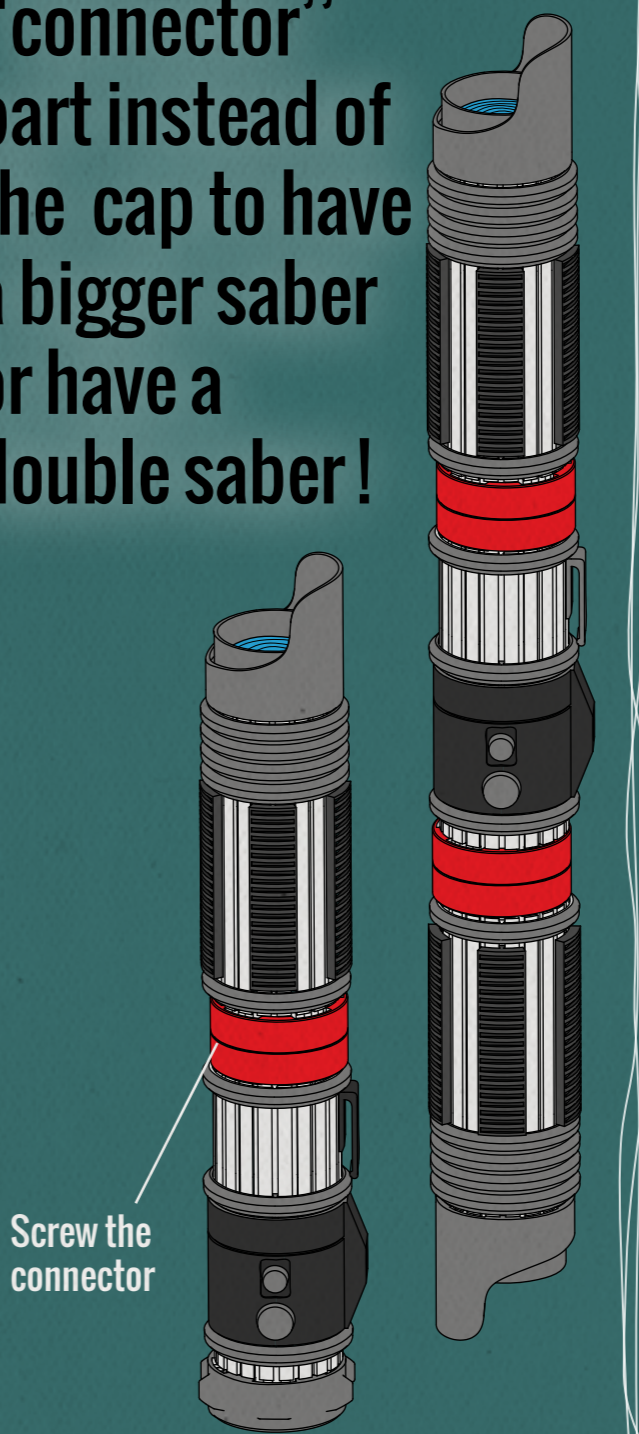


This edge inside has to be on the top to have the good direction

* Cut or smooth the edges if necessary.

4

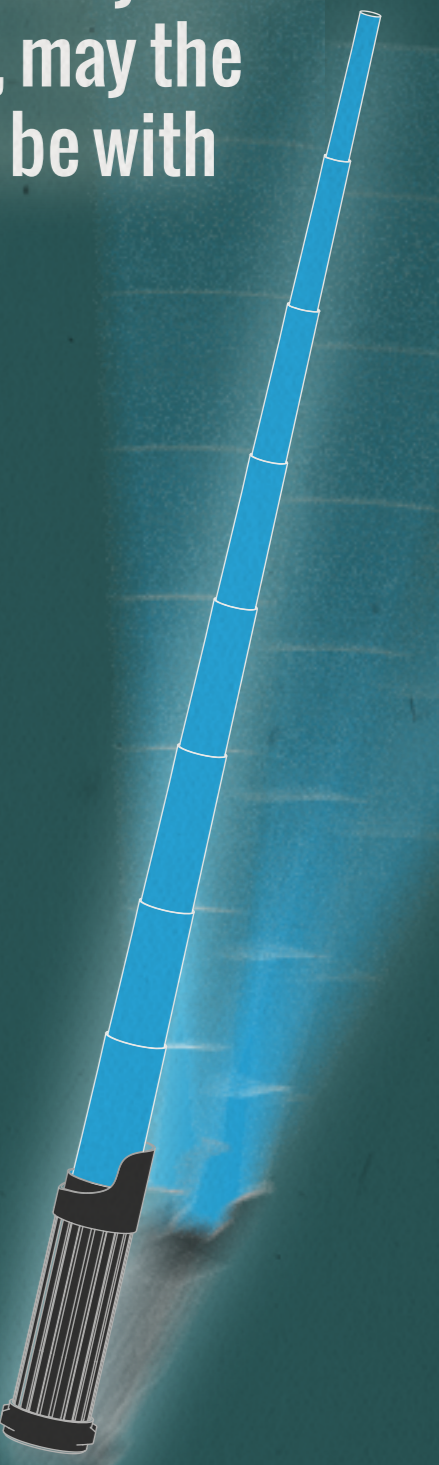
Choose the "connector" part instead of the cap to have a bigger saber or have a double saber!



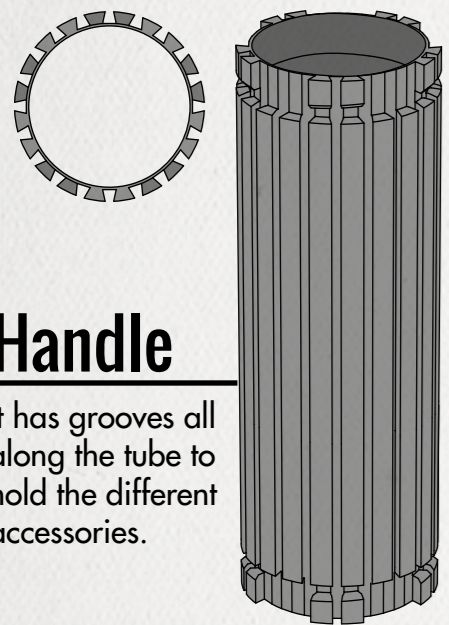
Screw the connector

5

Now that you're done, may the force be with you.

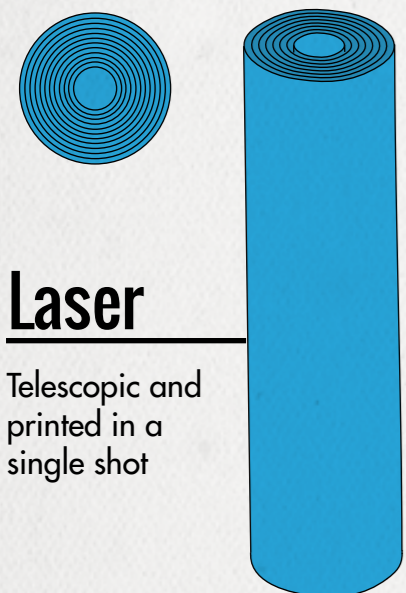


Base



Handle

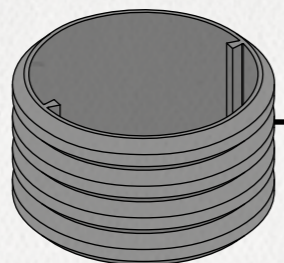
It has grooves all along the tube to hold the different accessories.



Laser

Telescopic and printed in a single shot

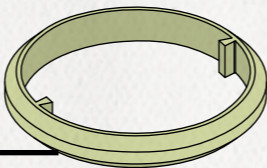
Handle parts



Four rings

Single ring

So you can juxtapose and alternate the color.



Large Grip

Print it **5** times to have a complete grip handle.



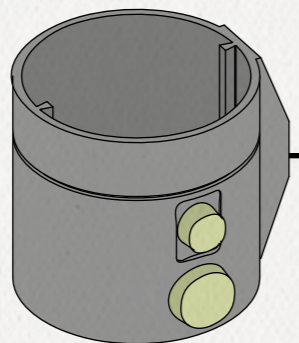
Little Grip

Print it **10** times to have a complete grip handle.



Belt Clip

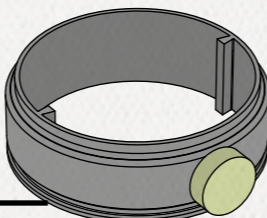
So you can hang the saber on your belt



Double Control button

The ring and the buttons are printed separately and clipped together.

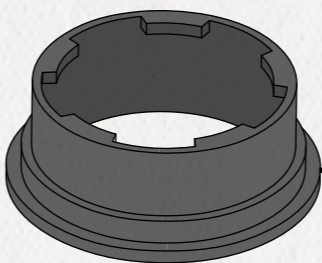
Advice : print it twice with different colors and mix the parts to have a color contrast.



Single Control button

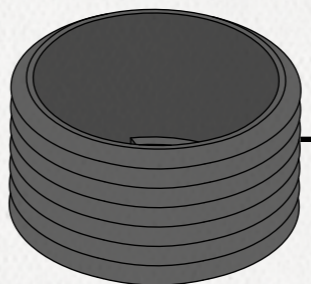
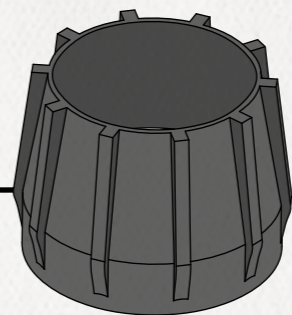
For minimalist jedi who only wants the essential

Top



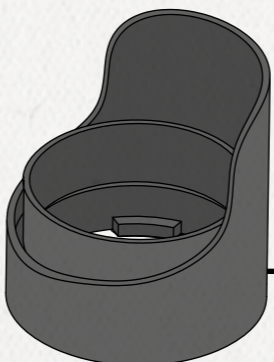
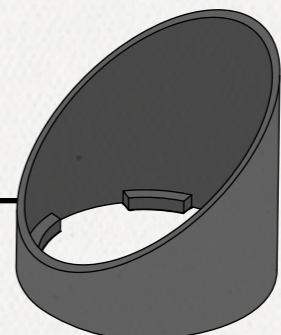
The Classic top

Sith top



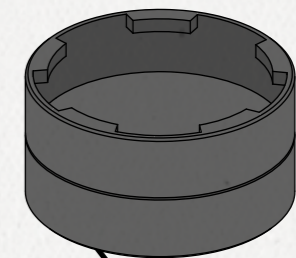
Grooves top

Vader top



Skywalker top

Bottom



Connector

Use it to connect two handles. Can also be used as an end bottom.

Closing cap

Use it to close the bottom of your saber

